



CIMEX-USA

210 Southwest Ave. Tallmadge, Ohio 44278

sales@cimex-usa.com www.cimex-usa.com

Parts & Service - Fax # 330-630-4030 1-866-284-3255

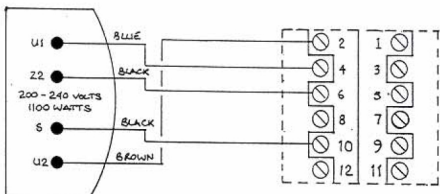
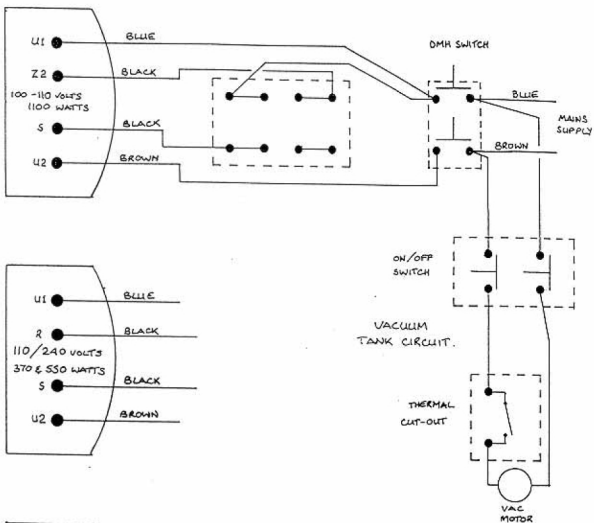


Cyclone - CR38, CRS38, CR48, CR61, CR76

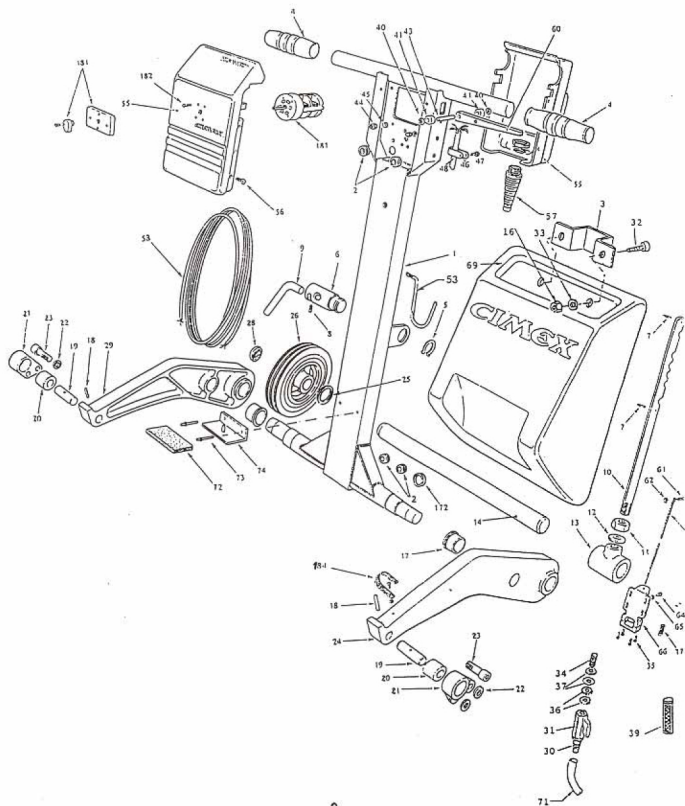
Scrubber/Polisher Floor Cleaning Machines

User Instructions / Parts Manual

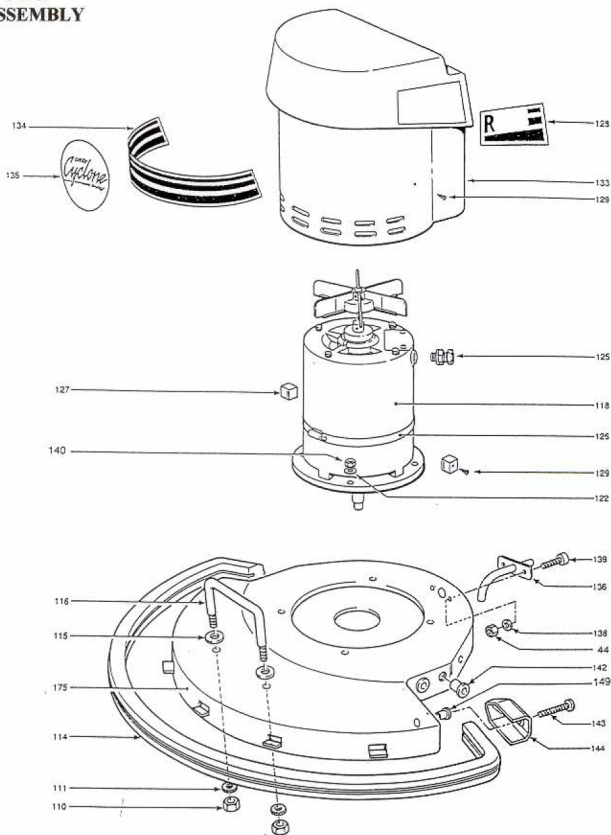
CAUTION - READ THESE INSTRUCTIONS BEFORE USING THE MACHINE



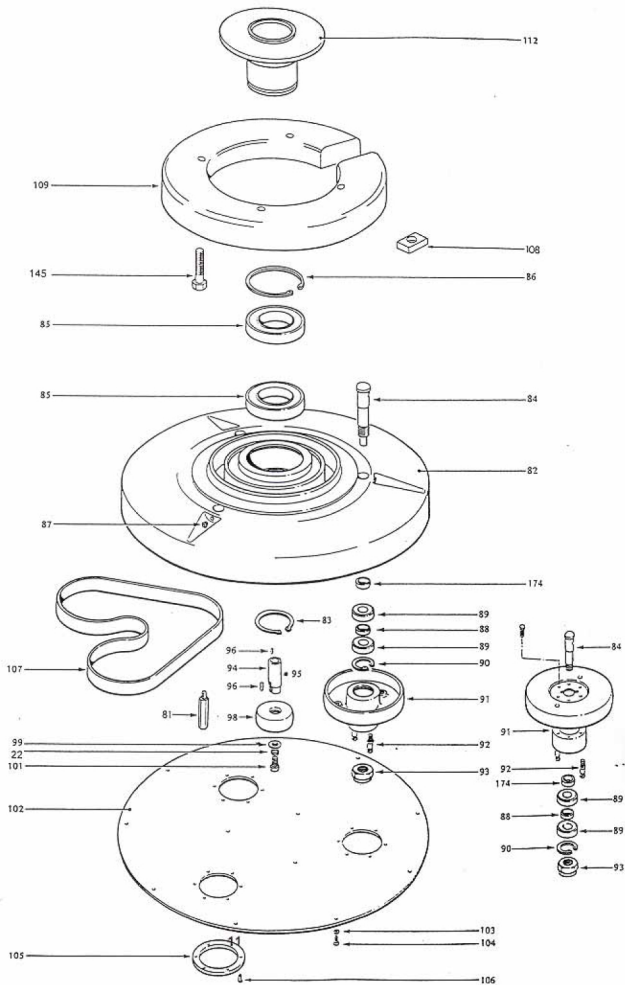
CR38, CRS38, CR48, CR61, CR76 HANDLE ASSEMBLY



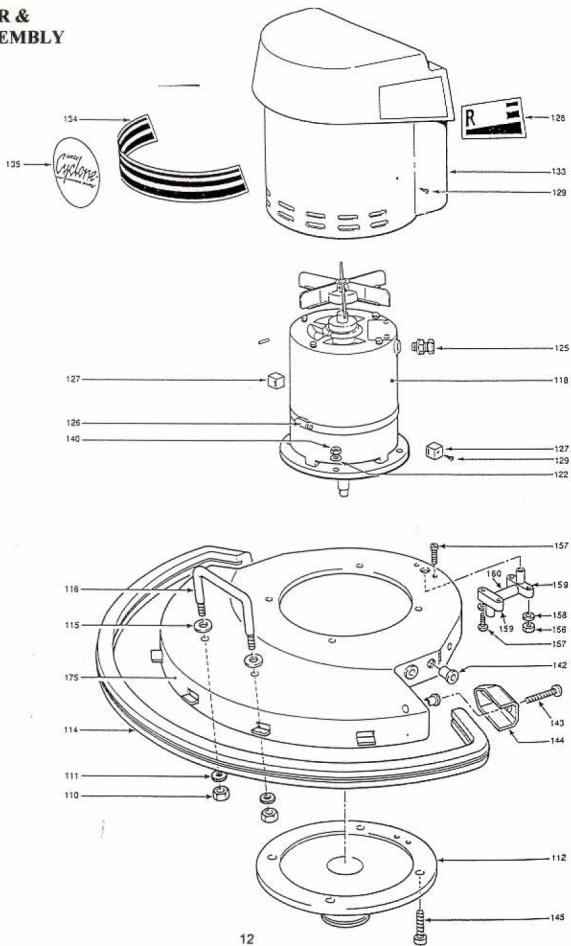
CR38 MOTOR & SHIELD ASSEMBLY



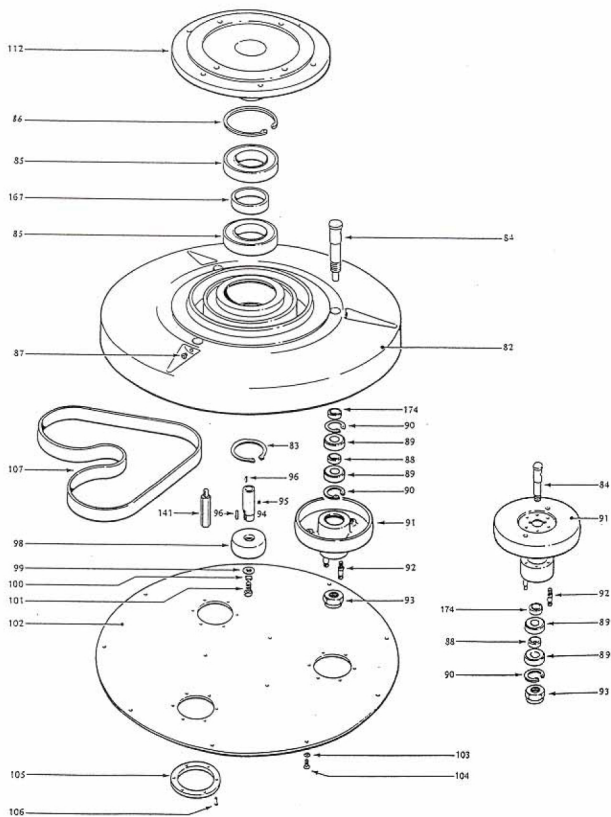
**CR38 EDU
ASSEMBLY**



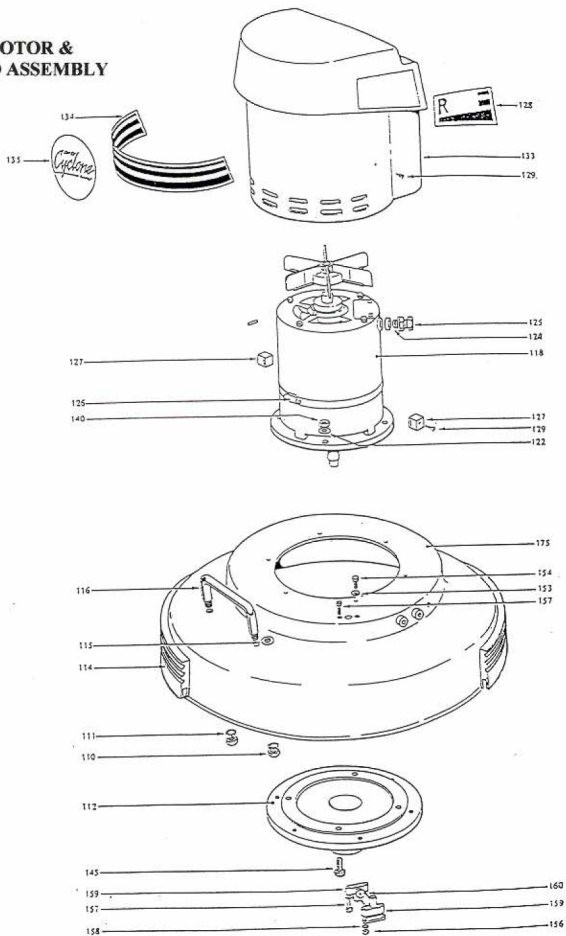
CR48 MOTOR & SHIELD ASSEMBLY



**CR48 & CR61
EDU ASSEMBLY**



CR61 MOTOR & SHIELD ASSEMBLY



CR RANGE PARTS LIST
CYCLONE - CR38, CRS38, CR48, CR61, CR76

KEY	DESCRIPTION	CIMEX PART NO.	TRUVOX PART NO.	QTY
1	Handle-38	40342	03-7700-0000	1
	Handle-48/61	40015	03-7282-0000	1
2	Grommet	40055	02-4176-0000	1
3	Tank Bracket	40082	03-7311-0000	1
4	Handle Grip	40007	02-4175-0000	2
5	Circlip-3/4" External	6010	02-3950-0000	1
6	Pivot	9749	03-6957-0000	1
7	Sellock Pin-1/8"x7/8" BZP	16186	02-4378-0000	2
8	M5x10 Socket Set Screw-BZP	9662	00-0510-0091	1
9	Locking Handle	9654	03-6953-0000	1
10	Swivel Clamp Rod	40009	03-7279-0000	1
11	M12 Locknut	9666	00-1200-0711	1
12	M12 Washer	9694	00-1200-0501	1
13	Tee Piece	40062	03-7306-0000	1
14	Axle-38	40010	03-7280-0000	1
	Axle-48/61	40065	03-7308-0000	1
16	M6 Nyloc Nut	45046	00-0600-0723	2
17	Nylon Bush	9107	03-6919-0000	2
18	Sellock Pin-1/8"x1"	16089	02-4446-0000	2
19	Pivot Pin	9728	03-7664-0000	2
20	Clayflex Bearing	9387	03-6929-0000	2
21	Pivot Bracket-R/H	9353	03-6925-0000	1
	Pivot Bracket-L/H	9354	03-6926-0000	1
22	M10 Washer	20084	00-1000-0511	5
23	M10x30 Socket Head Cap Screw-Bz	29520	00-1030-0091	4
24	Lifting Fork L/H-38	40000	03-7656-0000	1
	Lifting Fork L/H-48	40151	03-7322-0000	1
	Lifting Fork L/H-61	40004	03-7275-0000	1
25	Washer-17/8"+B617 OD x 1" ID	10166	02-4324-0000	4
26	Wheel	40006	03-7277-0000	2
28	Starlock Hub Cap	9556	03-7658-0000	2
29	Lifting Fork R/H-38	40001	03-7272-0000	1
	Lifting Fork R/H-48	40152	03-7323-0000	1
	Lifting Fork R/H-61	40005	03-7276-0000	1
30	Solution Outlet	40317	02-4212-0000	1
31	Ball Valve	40318	02-4213-0000	1
32	M6x15 Bolt S/S	40172	00-0616-0113	2
33	M6x20 Washer	28946	02-4367-0000	2
34	Valve Insert	40333	03-7661-0000	1
35	C/sunk Pozi Screw No4x5/8"	40052	02-4360-0000	4
36	1/4 BSP Locknut	8120	02-4306-0000	2
37	1/4 BSP Washer	8121	02-4307-0000	1
39	Strylon Filter	16261	03-7662-0000	1
40	Starlock Washer	18031	02-4078-0000	2
43	Pivot Pin	40058	02-4178-0000	1

KEY	DESCRIPTION	CIMEX PART NO.	TRUVOX PART NO.	QTY
45	M3 Shakeproof Washer	26748	none	2
46	P Clip	9331	02-4004-0000	2
47	M3x10 Pan Head Screw	28856	00-0310-0011	2
48	Cable-5 Core	13415	04-3548-0000	2.2m
53	Cable Hook	9741	03-7660-0000	1
55	Switch Enclosure	40047	03-7300-0000	1
56	M5x16 Cheese Head Screw S/S	21270	00-0516-0013	6
57	Cable Restraint	40110	02-4186-0000	1
58	Mains Cable-115v 14AWG	13441	04-3549-0000	15m
60	Water Valve Lever	40050	03-7301-0000	1
61	M5x20 Screw	21283	00-0520-0011	1
62	M5 Nyloc Nut	21876	00-0520-0077	1
63	Water Valve Operating Rod	40053	03-7303-0000	1
64	M4x8 Pozi Pan Head Screw	26065	00-0408-0013	4
65	M4 Washer	26078	00-0400-0501	8
66	Solution Valve	40044	03-7297-0000	1
69	Water Supply Tank	40036	03-7290-0000	1
71	Hose	40059	02-7179-0000	1m
72	Tank Pad	40054	03-7304-0000	1
73	Pop Rivet	9975	02-4035-0000	2
74	Tank Bracket	40091	03-7312-0000	1
81	Bottom Cover Spacer-38	40166	03-7332-0000	3
82	EDU Bowl-38	40158	03-7328-0000	1
	EDU Bowl-48	9772	03-6962-0000	1
	EDU Bowl-61	40159	03-7329-0000	1
83	Circlip-External 1300/35mm	9672	02-4024-0000	1
84	Brush Spindle	9627	03-6944-0000	3
85	Bearing 6009-2RS	9645	02-4020-0000	2
86	Circlip-Internal 1300/75mm	9596	02-4380-0000	1
87	Plastic Insert	9721	02-4381-0000	3
88	Spacer	9640	03-6948-0000	3
89	Bearing 6003-2RS	9671	02-4023-0000	6
90	Circlip-Internal 1300/35mm	9463	02-4011-0000	3
91	Brush Pulley-38	40031	03-7288-0000	3
	Brush Pulley-48/61	40064	03-7307-0000	3
92	Brush Driving Pin	40026	03-7285-0000	6
93	M16 Nyloc Nut	28395	03-7220-0000	3
94	Motor Shaft Extension-38	40067	03-7309-0000	1
	Motor Shaft Extension-48	9634	03-6947-0000	1
95	M6 x6 Socket Set Grub Screw	9682	00-0606-0171	1
96	Round Ended Steel Key-38	8401	03-6901-0000	2
	Round Ended Steel Key-48/61	9401	03-6930-0000	2
98	Drive Pulley-See Chart			1
99	Washer 1 1/4"x3/4"x16 SWG	17549	02-4335-0000	5
101	M10x20 Hex Head Set Screw	9643	00-1020-0111	1
102	Bottom Cover Plate-38	8489	03-6907-0000	1
	Bottom Cover Plate-48	9490	03-6940-0000	1
	Bottom Cover Plate-61	20003	03-7037-0000	1

KEY	DESCRIPTION	CIMEX PART NO.	TRUVOX PART NO.	QTY
104	M5x12 C/sunk Pozi Screw	9674	00-0512-0033	12
105	Dust Seal	8535	03-6910-0000	3
106	No 12x1/2" Pozi Pan Head Screw	9817	02-4323-0000	18
107	Belt-See Chart			1
108	Spacer-38	40167	03-7333-0000	4
109	Headweight-38	8539	03-6911-0000	1
110	M8 Full Nut	29066	00-0800-0701	2
111	M8 Internal Shakeproof Washer	8582	00-0800-0521	2
112	Spigot Plate-38 (assembled to Item 175)			1
	Spigot Plate-48	40153	03-7324-0000	1
	Spigot Plate-61	40076	03-7310-0000	1
114	Bumper Rubber-38	8063	03-6898-0000	0.5m
	Bumper Rubber-48	8063	03-6898-0000	0.7m
	Bumper Rubber-61	6955	03-7835-0000	1.9m
115	M8 Washer	26137	00-0800-0501	4
116	Lift Handle	9648	03-6951-0000	1
118	Motor-38	12582	04-3487-0000	1
	Motor-48/61	12584	04-3489-0000	1
122	Washer 1"x3/8"x17 SWG	40128	02-4361-0000	4
125	M20 Cable Gland	99513	02-4385-0000	1
126	Hose Clip-7 1/2"	17711	02-4074-0000	1
127	Motor Shield Fixing	40121	03-7316-0000	2
128	Label	3627	03-7684-0000	1pr
129	No 10x1/2" Pan Head Screw	8131	02-4323-0000	2
133	Motor Hood-38	40035/1	03-7657-1000	1
	Motor Hood-48/61	40035/2	03-7657-0000	1
134	Decal	3628	03-7654-0000	1
135	Cyclone Decal	3629	03-7655-0000	1
136	Water Inlet-38	40092	03-7313-0000	1
	Water Inlet-61	9179	03-6920-0000	1
138	M3 Spring Washer	28762	00-0300-0513	2
139	M3x8 Pozi Pan Head Screw	28855	00-0308-0011	3
140	M10 Lock Nut	28104	00-1000-0711	4
141	Bottom Cover Spacer-48/61	9631	03-6946-0000	3
142	M10 Rivnut	8618	02-4379-0000	4
143	M5x25 Pan Head Screw BZP	9681	00-0525-0013	2
144	Bumper Clip-38/48	9378	03-6928-0000	2
145	M10x30 Hex Head Set Screw	9816	00-1030-0111	4
156	M4 Full Nut	9679	00-0400-0701	2
157	M4x25 Cheese Head Screw-48/61	9678	00-0425-0071	4
158	M4 Washer	26078	00-0400-0501	4
159	Water Feed Elbow	9179	03-6920-0000	2
165	Motor Mounting Plate-61	17766	03-6998-0000	1
160	Tubing	40059	02-4179-0000	0.038m
167	Spacer-48/61	40024	03-7284-0000	1
172	Hole Plug	40090	02-4181-0000	2
174	Spacer-38/48	9630	03-6945-0000	3
175	Bumper Shield-38	40157	03-7327-0000	1

KEY	DESCRIPTION	CIMEX PART NO.	TRUVOX PART NO.	QTY
	Bumper Shield-61	40042	03-7295-0000	1
181	Rotary Switch	40119	04-3626-0000	1
182	M4x20 Pozzi C/Sunk Screw	28862	00-0420-0031	4
184	Tinned Copper Earth Braid	8138	03-6899-0000	2
	<u>Parts not illustrated</u>			
	Self Adhesive Buffer Pad	40112	02-4187-0000	2
	Mounting Plate-61	40320	03-7361-0000	1
	Y connector-61	38429	02-4174-0000	1
	M4x10 Screw	26066	00-0410-0031	4
	M5x10 Pan Head Screw	9747	00-0510-0013	2
	Plasklip	9690	02-4028-0000	2
	Small Valve Rod-61	40323	03-7364-0000	2
	Water Valve Rod-61	40322	03-7363-0000	1
	Connecting Block-61	40321	03-7362-0000	1
	1/4"x1" Split Pin	99543	02-4260-0000	2
	Steel Key-61	9402	03-6931-0000	1
	M5 Spring Washer	28764	00-0500-0511	4
	M5 Internal Shakeproof Washer	26079	00-0500-0521	3
	M5 Full Nut	21284	00-0500-0701	3
	M5 Brass Locknut	9664	none	2
	M5 Brass Flat Washer	9727	02-4382-0000	4
	M5x20 Pan Head Screw	9667	00-0520-0011	1
	Earth Label	8444	02-3984-0000	1
	M5x10 Pan Head Screw	9680	00-0510-0011	2
	P Clip	40368	02-4219-0000	1
	M3 Spring Washer	28762	00-0300-0513	2
	M10 Full Nut	28079	00-1000-0703	4
	M3 Internal Shakeproof Washer	26478	00-0300-0521	2
	M6x10 Hex Head Set Screw	28757	00-0610-0111	6
	M5 Washer	26076	00-0500-0501	1
	M10x35 Cap Head Screw	40238	00-1035-0103	4
	<u>Motor Capacitors</u>			
	12582 Motor		04-3487-0000	
	Single Cap	12643	04-3508-0000	
	12584 Motor		04-3489-0000	
	Start	12644	04-3509-0000	
	Run	12645	04-3510-0000	

CHART FOR PART #98 & #107 BELT (ON PARTS BREAKDOWN PAGE 17)

<i>Machine</i>	<i>Supply Hz</i>	<i>Brush Speed</i>	<i>Steel Pulley</i>	<i>Belt Size</i>	<i>Belt #</i>
CR38	50	620	8497	1156x13	40136
	60	620	40130	1139x13	40143
CRS38	50	415	8631	1136x13	40137
	60	500	8631	1136x13	40137
CR48	50	400	9371	1467x25	40138
	60	400	9722	1453x25	40144
CRH48	50	800	9757	1395x30	40139
	60	800	9758	1370x30	40140
CR61	50	400	9371	1619x30	40141
	60	400	40131	1609x30	40145
CRH61	50	712	40133	1580x30	20204
	60	712	40132	1565x30	40146